



www.markproduct.com

Milly Molly Mandy /

Stools are the most flexible and versatile of seating elements. Our Milly and Molly stools add colour and character to many spaces including office breakout areas and bars.

The character can be controlled by choice of colour and finish – from grey leather with black legs to contrasting primaries with coloured buttons, the stools offer a wide range of options.

Milly is 450mm high, the right height for use with a dining table but also works well with a coffee table, such as the Mandy table in the same range.

The tapering of the form and lifting it up with legs were important considerations to make the stool comfortable and to keep it free of scuff marks from shoes.

Milly stool can be partnered with the Mandy coffee table and also the Molly bar stool which shares the same aesthetic. Molly bar height stool is 760mm high.

Specification/

Fully upholstered hard wood frame with natural or stained solid ash legs.

Timber stain choices:

natural, yellow, orange, green, red and blue.

Production/

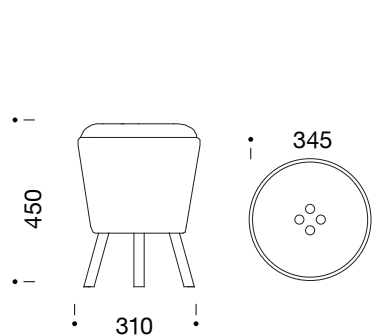
100% made in Cornwall

Design/

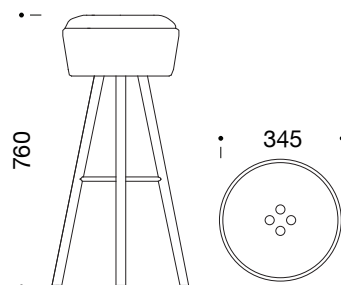
Hart + Miller

Dimensions/

Milly stool/



Molly stool/



Mandy coffee table/

